



SL-209-3C-CREE

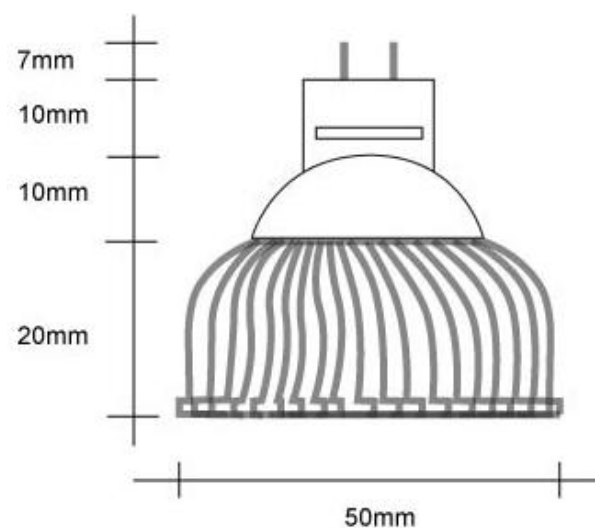


I. FEATURE

- 3 pcs of American CREE high-power LED inside
- Available in a selection of LED light colors
- Used as a replacement for the traditional halogen lamps
- Standard GU5.3 base and no need of modification
- Low voltage operation at 12V AC/DC
- Aluminum material which provide good ability of heat conduction
- Beam angle at **15, 30, or 60** degrees
- Safety Standard: CE
- No UV

II. Typical Applications

- Entertainment lighting
- Architectural lighting
- Landscape lighting
- Household / Security / Garden lighting
- Boutique lighting



III. THE PRODUCT

- Operating Voltage: 12V AC/DC 50/60 Hz
- Pin Type: GU5.3
- Bottom base: PC, flammability: V2 level
- Heat sink: Aluminum alloys, 55~65°C after heat balance ($T_j = 25^\circ\text{C}$)
- Operating Temp. : -10~40 °C

Mr-16 Power	Led	Lumi	Beam Angle	Color	Part No.
6.0W	1.6W*3	490	30°	Warm White	SL-209-4C (5W-12V/WW)
6.0W	1.6W*3	500	30°	White	SL-209-4C (5W-12V/W)

Photometric

Ambient Operating Temperature, $T_j = 25^\circ\text{C}$

Color	Dominant Wavelength		Half-Width (nm)
	Min. (nm)	Max. (nm)	
White	6000K	7000K	
Warm White	2800K	3800K	

Version: CINDI SL-209-3C-CREE 1020416